



# Digital Active DAS

## Product Catalog



## Dual Band-adjustable Digital DAS (Direct Coupling)

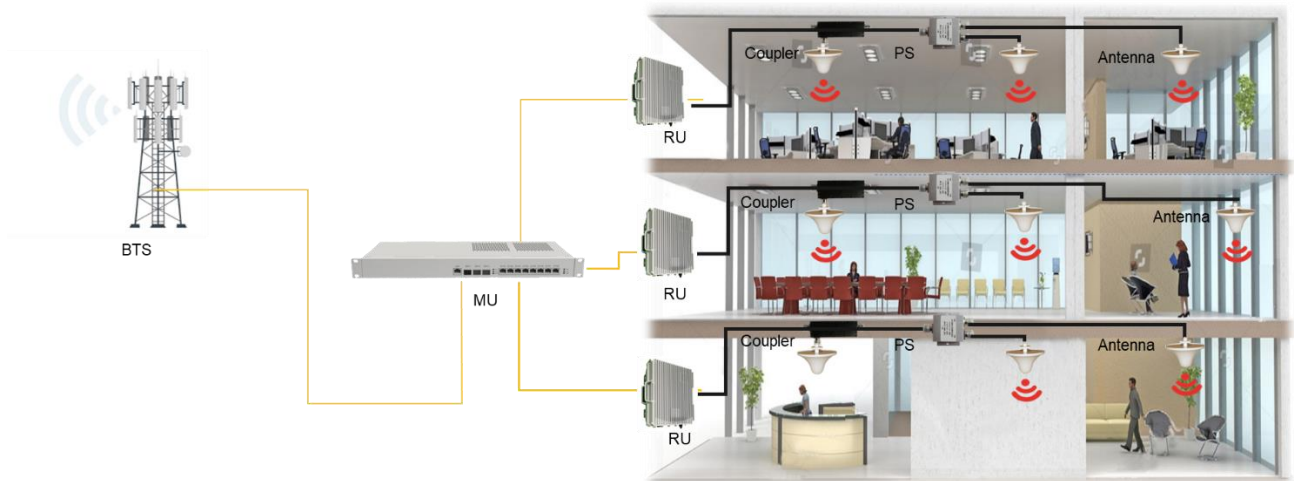
Model: 44322D (P/N: 44322D.13Z)

### Product Features:

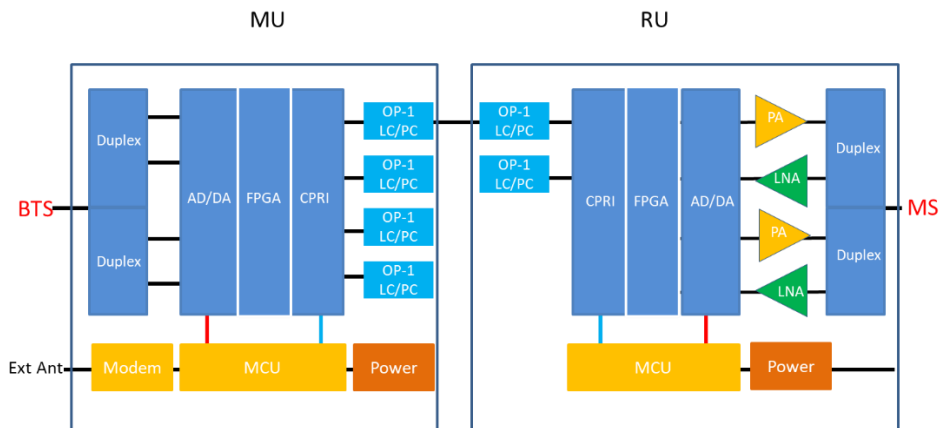
- Support multi-band system.
- Optical transmission up to 10km (max.).
- Support OMS Lite local/remote control.
- Low noise and high reliability.
- Each master unit can support 8 remote units.
- Support to monitor donor signal parameters for easy optimization and troubleshooting.



### Application Scenario:



### Block Diagram:





## Technical Specifications:

P/N: 44322D.13Z		MU	RU
Frequency Range	B3 (1800) Uplink	1710-1785 MHz (adjustable)	1710-1785 MHz (adjustable)
	B3 (1800) Downlink	1805-1880 MHz (adjustable)	1805-1880 MHz (adjustable)
	B1 (2100) Uplink	1920-1980 MHz (adjustable)	1920-1980 MHz (adjustable)
	B1 (2100) Downlink	2110-2170 MHz (adjustable)	2110-2170 MHz (adjustable)
Bandwidth	B3 (1800)	$\leq 75$ (adjustable)	$\leq 75$ (adjustable)
	B1 (2100)	$\leq 60$ (adjustable)	$\leq 60$ (adjustable)
Number of Units		1	$\leq 8$
Max. Gain		$\geq 55 \pm 2$ dB	
Manual Gain Control		31 dB in step of 1 dB	
Automatic Gain Control		$\geq 20$ dB	
Gain Flatness		$\leq 6$ dB (peak-to-peak)	
Max. Input Power Without Damage	Uplink	0 dBm	
	Downlink	10 dBm	
Output Power	Uplink	$\geq -10 \pm 2$ dBm	
	Downlink	$\geq 43 \pm 2$ dBm per band	
Noise Figure		UL: $\leq 6$ dB (Except for central frequency point)	
VSWR		$\leq 1.5$	
System Delay		$\leq 5$ $\mu$ s	
RF Connector		N-Female	
Impedance		50 $\Omega$	
Optical Output Power		$\geq 0$ dBm	
Optical Wavelength		1310 nm/1550 nm (WDM)	
Fiber		Single Mode	
Fiber Connector		FC/APC	FC/PC
Power Supply		DC -48 V	110/220V
Power Consumption		$\leq 65$ W	$\leq 385$ W
Dimensions		422*352*44 mm	513*416*187 mm
Weight		15 kg	$\leq 35$ kg
IP Rating		IP40	IP65
Operating Temperature		-10~50 °C	-25~55 °C
Control & Monitoring	Local	Via RJ45	
	Remote	Via Wireless Modem (optional)	

Technical specification is subject to change without prior notice.



## Dual Band-adjustable Digital DAS (Direct Coupling)

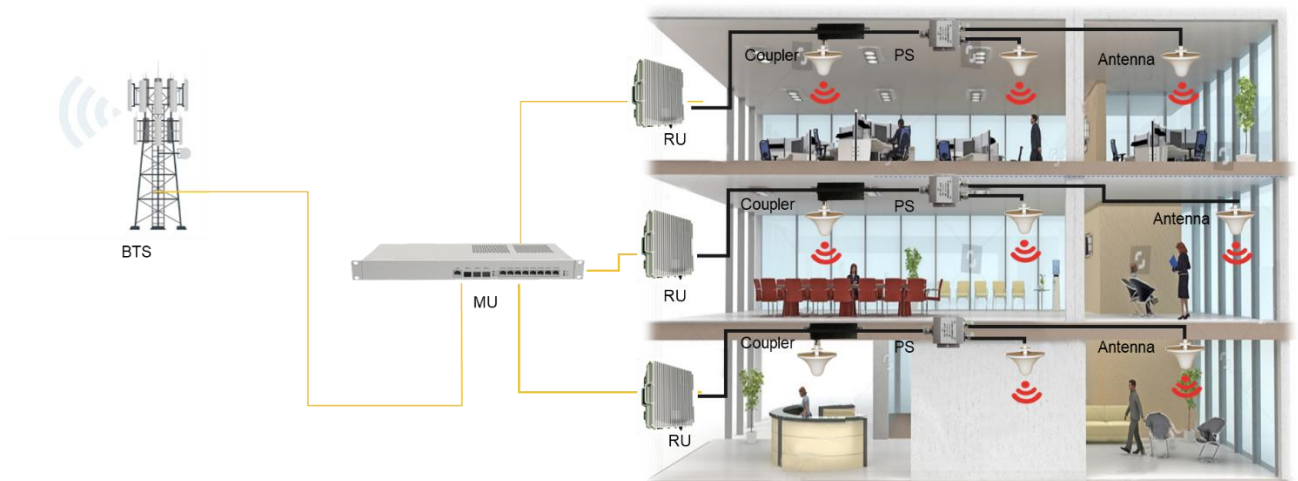
Model: 44322D (P/N: 44322D.38Z)

### Product Features:

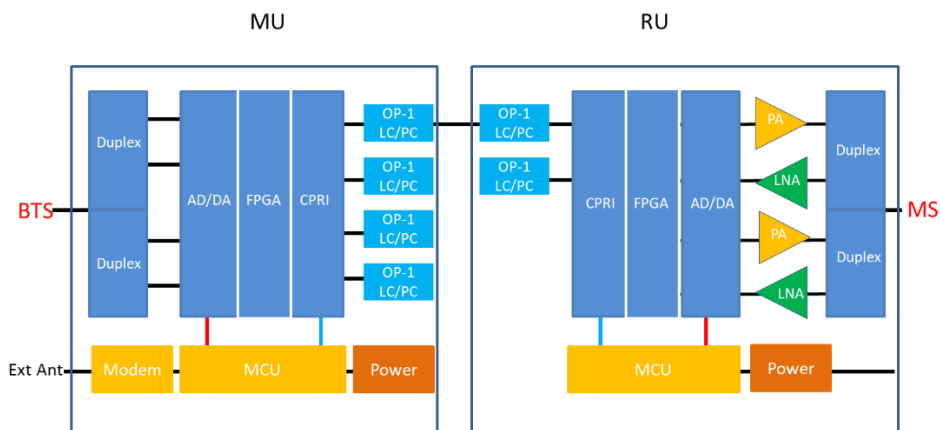
- Support multi-band system.
- Optical transmission up to 10km (max.).
- Support OMS Lite local/remote control.
- Low noise and high reliability.
- Each master unit can support 8 remote units.
- Support to monitor donor signal parameters for easy optimization and troubleshooting.



### Application Scenario:



### Block Diagram:





## Technical Specifications:

P/N: 44322D.38Z		MU	RU
Frequency Range	B8 (900) Uplink	880-915 MHz (adjustable)	880-915 MHz (adjustable)
	B8 (900) Downlink	925-960 MHz (adjustable)	925-960 MHz (adjustable)
	B3 (1800) Uplink	1710-1785 MHz (adjustable)	1710-1785 MHz (adjustable)
	B3 (1800) Downlink	1805-1880 MHz (adjustable)	1805-1880 MHz (adjustable)
Bandwidth	B8 (900)	$\leq 35$ (adjustable)	$\leq 35$ (adjustable)
	B3 (1800)	$\leq 75$ (adjustable)	$\leq 75$ (adjustable)
Number of Units		1	$\leq 8$
Max. Gain		$\geq 55 \pm 2$ dB	
Manual Gain Control		31 dB in step of 1 dB	
Automatic Gain Control		$\geq 20$ dB	
Gain Flatness		$\leq 6$ dB (peak-to-peak)	
Max. Input Power Without Damage	Uplink	0 dBm	
	Downlink	10 dBm	
Output Power	Uplink	$\geq -10 \pm 2$ dBm	
	Downlink	$\geq 43 \pm 2$ dBm per band	
Noise Figure		UL: $\leq 6$ dB (Except for central frequency point)	
VSWR		$\leq 1.5$	
System Delay		$\leq 5 \mu$ s	
RF Connector		N-Female	
Impedance		50 $\Omega$	
Optical Output Power		$\geq 0$ dBm	
Optical Wavelength		1310 nm/1550 nm (WDM)	
Fiber		Single Mode	
Fiber Connector		FC/APC	FC/PC
Power Supply		DC -48 V	110/220V
Power Consumption		$\leq 65$ W	$\leq 385$ W
Dimensions		422*352*44 mm	513*416*187 mm
Weight		15 kg	$\leq 35$ kg
IP Rating		IP40	IP65
Operating Temperature		-10~50 °C	-25~55 °C
Control & Monitoring	Local	Via RJ45	
	Remote	Via Wireless Modem (optional)	

Technical specification is subject to change without prior notice.



## Dual Band-adjustable Digital DAS (Air-coupling)

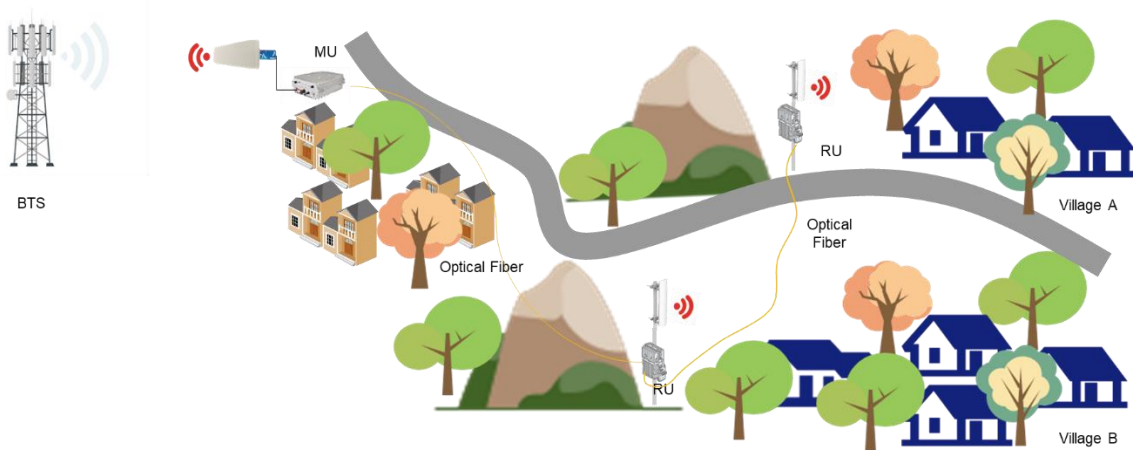
Model: 44322D (P/N: 44322D.820K)

### Product Features:

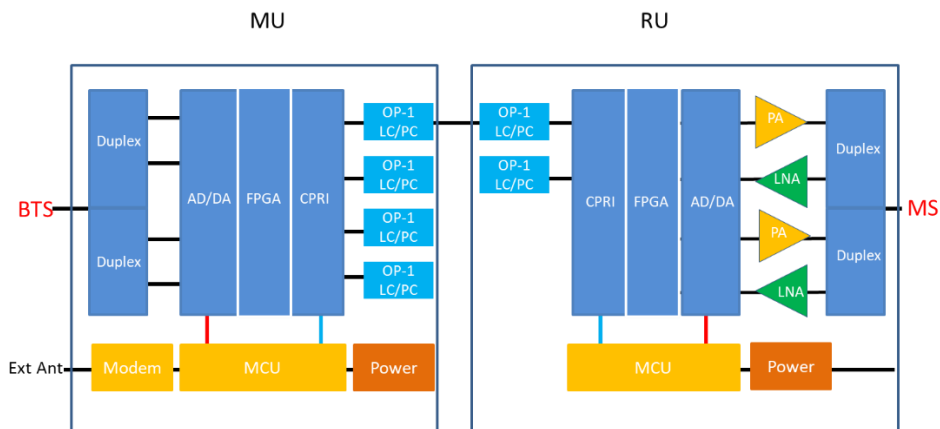
- Support multi-band system.
- Optical transmission up to 10km (max.).
- Support OMS Lite local/remote control.
- Low noise and high reliability.
- Each master unit can support 8 remote units.
- Support to monitor donor signal parameters for easy optimization and troubleshooting.



### Application Scenario:



### Working Schematic Diagram





## Technical Specifications:

P/N: 44322D.820K		MU	RU
Frequency Range	B20 (800) Uplink	832 - 862 MHz (adjustable)	832 - 862 MHz (adjustable)
	B20 (800) Downlink	791 - 821 MHz (adjustable)	791 - 821 MHz (adjustable)
	B8 (900) Uplink	880 - 915 MHz (adjustable)	880 - 915 MHz (adjustable)
	B8 (900) Downlink	925 - 960 MHz (adjustable)	925 - 960 MHz (adjustable)
Bandwidth	B20 (800)	$\leq 30$ MHz (adjustable)	$\leq 30$ MHz (adjustable)
	B8 (900)	$\leq 35$ MHz (adjustable)	$\leq 35$ MHz (adjustable)
Number of Units		1	$\leq 8$
Max. Gain		$\geq 90 \pm 2$ dB	
Manual Gain Control		31 dB in step of 1 dB	
Automatic Gain Control		$\geq 20$ dB	
Gain Flatness		$\leq 6$ dB (peak-to-peak)	
Max. Input Power Without Damage	Uplink	0 dBm	
	Downlink	10 dBm	
Output Power	Uplink	$\geq 27 \pm 2$ dBm	
	Downlink	$\geq 43 \pm 2$ dBm	
Noise Figure		UL: $\leq 6$ dB	
VSWR		$\leq 1.5$	
System Delay		$\leq 4.5$ $\mu$ s	
RF Connector		N-Female	
Impedance		50 $\Omega$	
Optical Output Power		$\geq 0$ dBm	
Optical Wavelength		1310 nm/1550 nm (WDM)	
Fiber		Single Mode	
Fiber Connector		FC/APC	FC/PC
Power Supply		AC110/220V	AC110/220V
Power Consumption		$\leq 85$ W	$\leq 385$ W
Dimensions		513*416*187mm	513*416*187mm
Weight		$\leq 25$ kg	$\leq 30$ kg
IP Rating		IP65	IP65
Operating Temperature		-25~55 °C	
Control & Monitoring	Local	Via RJ45	
	Remote	Via Wireless Modem (optional)	

Technical specification is subject to change without prior notice.



## Dual Band-adjustable Digital DAS (Air-coupling)

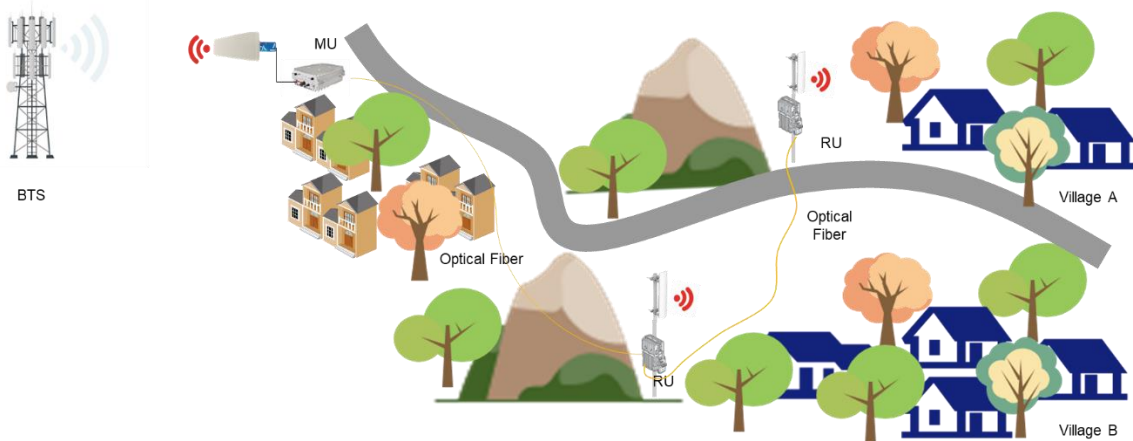
Model: 53722D (P/N: 53722D.413K)

### Product Features:

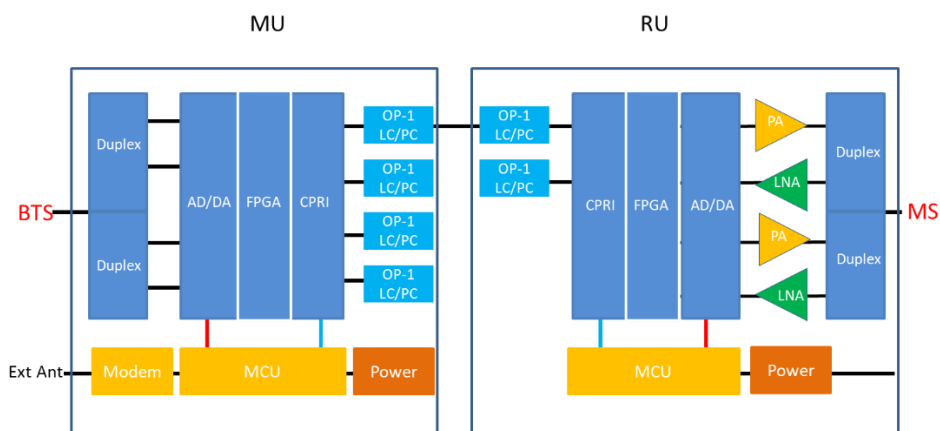
- Built-in baseband synchronization module, accurate synchronization.
- Optical transmission up to 10km (max.).
- Support OMS Lite local/remote control.
- Low noise and high reliability.
- Each master unit can support 8 remote units.
- Support to monitor donor signal parameters for easy optimization and troubleshooting.
- Support 2G,3G,4G FDD & 5G TDD Technologies.



### Application Scenario:



### Working Schematic Diagram







## Technical Specifications:

P/N: 53722D.413K		MU	RU
Frequency Range	B3 (1800) Uplink	1710 - 1785 MHz (adjustable)	1710 - 1785 MHz (adjustable)
	B3 (1800) Downlink	1805 - 1880 MHz (adjustable)	1805 - 1880 MHz (adjustable)
	N41 (2500) Uplink	2500 -2690 MHz (adjustable)	2500 -2690 MHz (adjustable)
	N41 (2500) Downlink	2500 -2690 MHz (adjustable)	2500 -2690 MHz (adjustable)
Bandwidth	B3 (1800)	$\leq 75$ MHz (adjustable)	$\leq 75$ MHz (adjustable)
	N41 (2500)	$\leq 100$ MHz(adjustable)	$\leq 100$ MHz(adjustable)
Number of Units		1	$\leq 8$
Max Gain		$\geq 90 \pm 2$ dB	
Manual Gain Control		31 dB in step of 1 dB	
Automatic Gain Control		$\geq 20$ dB	
Gain Flatness		$\leq 6$ dB (peak to peak)	
Max. Input Power without Damage	Uplink	0 dBm	
	Downlink	10 dBm	
Output Power	Uplink	$\geq 27$ dBm	
	Downlink	$\geq 37 \pm 2$ dBm	
Noise Figure		UL: $\leq 6$ dB	
VSWR		$\leq 1.5$	
System Delay		$\leq 9$ $\mu$ s	
RF Connector		N-Female	
Impedance		50 $\Omega$	
Optical Output Power		$\geq -9$ dBm	
Optical Wavelength		1330 nm/1270 nm (DDM)	
Fiber		Single Mode	
Fiber Connector		LC/PC*4	FC/PC*2
Power Supply		AC110~220V	AC110~220V
Power Consumption		$\leq 85$ W	$\leq 245$ W
Dimensions		513*416*187mm	513*416*187mm
Weight		$\leq 15$ kg	$\leq 25$ kg
IP Rating		IP65	IP65
Operating Temperature		-25~55 $^{\circ}$ C	
Local & Remote Control	Local	Via RJ45	
	Remote	Via Wireless Modem (optional)	

Technical specification is subject to change without prior notice.



## Dual Band-adjustable Digital DAS (Direct Coupling)

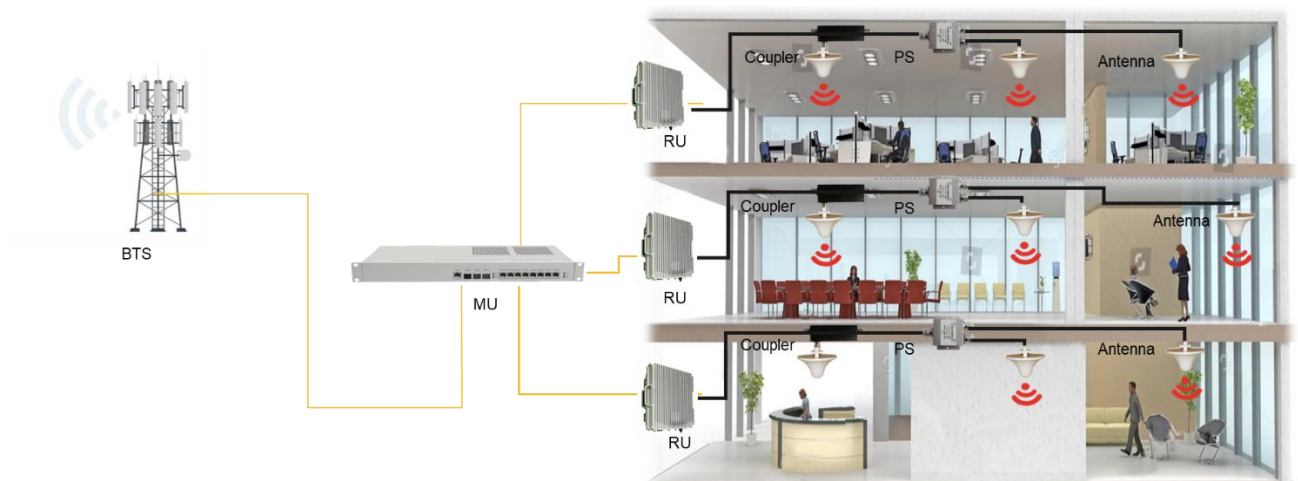
Model: 54322D (P/N: 54322D.783Z)

### Product Features:

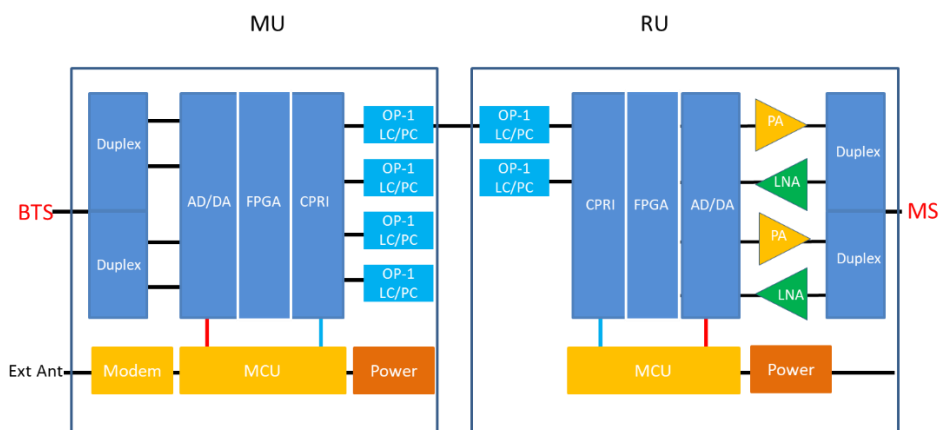
- Support 5G NSA+SA mode.
- Support multi-band system.
- Built-in 5G base band synchronous detection module (SDM)
- Optical transmission up to 10km (max.).
- Support OMS Lite local/remote control.
- Low noise and high reliability.
- Each master unit can support 8 remote units.
- Support to monitor donor signal parameters for easy optimization and troubleshooting.



### Application Scenario:



### Block Diagram:





## Technical Specifications:

P/N: 54322D.783Z		MU	RU
Frequency Range	B3 (1800) Uplink	1710 - 1785 MHz (adjustable)	1710 - 1785 MHz (adjustable)
	B3 (1800) Downlink	1805 - 1880 MHz (adjustable)	1805 - 1880 MHz (adjustable)
	N78 (3500) Uplink	3300- 3800 MHz (adjustable)	3300- 3800 MHz (adjustable)
	N78 (3500) Downlink	3300 - 3800 MHz (adjustable)	3300 - 3800 MHz (adjustable)
Bandwidth	B3 (1800)	$\leq 75$ MHz (adjustable)	$\leq 75$ MHz (adjustable)
	N78 (3500)	$\leq 100$ MHz (adjustable)	$\leq 100$ MHz (adjustable)
Number of Units		1	$\leq 8$
Max. Gain		$\geq 55 \pm 2$ dB	
Manual Gain Control		31 dB in step of 1 dB	
Automatic Gain Control		$\geq 20$ dB	
Gain Flatness		$\leq 6$ dB (peak-to-peak)	
Max. Input Power Without Damage	Uplink	0 dBm	
	Downlink	10 dBm	
Output Power	Uplink	$\geq -10 \pm 2$ dBm	
	Downlink	$\geq 43 \pm 2$ dBm per band	
Noise Figure		UL: $\leq 6$ dB (Except for central frequency point)	
VSWR		$\leq 1.5$	
System Delay	B3 (1800)	$\leq 5$ $\mu$ s	
	N78 (3500)	$\leq 1.5$ $\mu$ s	
RF Connector		N-Female	
Impedance		50 $\Omega$	
Optical Output Power		$\geq 0$ dBm	
Optical Wavelength		1310 nm/1550 nm (WDM)	
Fiber		Single Mode	
Fiber Connector		FC/APC	FC/PC
Power Supply		DC -48 V	110/220V
Power Consumption		$\leq 30$ W	$\leq 240$ W
Dimensions		422*352*44 mm	513*416*187 mm
Weight		$\leq 10$ kg	$\leq 25$ kg
IP Rating		IP40	IP65
Operating Temperature		-10~50 °C	-25~55 °C
Control & Monitoring	Local	Via RJ45	
	Remote	Via Wireless Modem (optional)	

Technical specification is subject to change without prior notice.



## Triple Band-adjustable Digital DAS (Air-coupling)

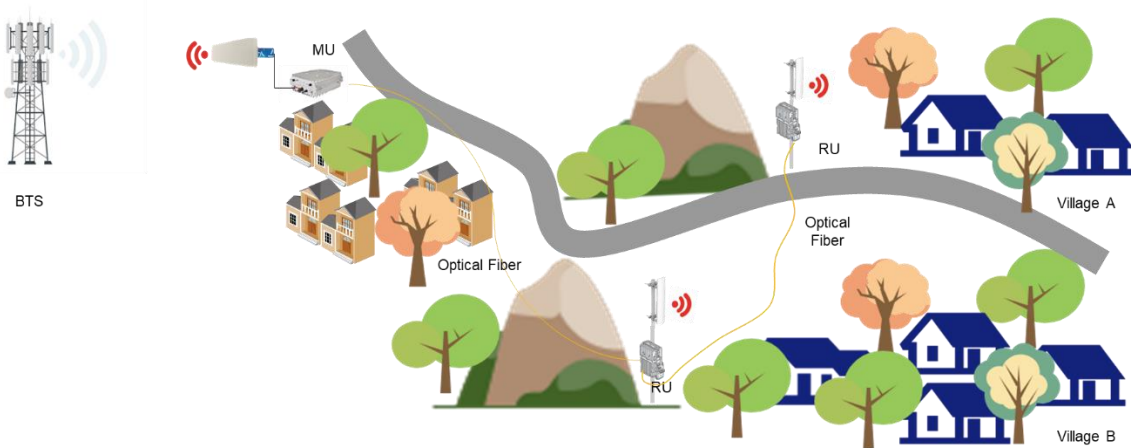
Model: 44323D.138K

### Product Features:

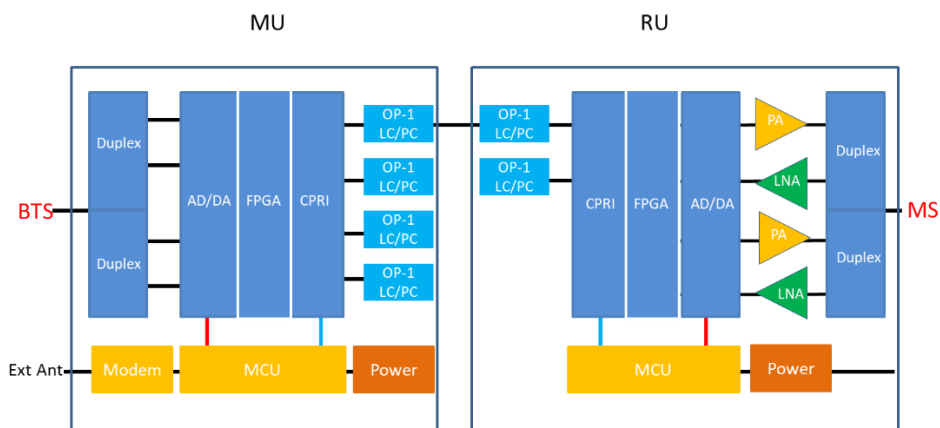
- Support multi-band system.
- Optical transmission up to 10km (max.).
- Support OMS Lite local/remote control.
- Low noise and high reliability.
- Each master unit can support 8 remote units.
- Support to monitor donor signal parameters for easy optimization and troubleshooting.



### Application Scenario:



### Working Schematic Diagram





## Technical Specifications:

P/N: 44323D.138K		MU	RU
Frequency Range	B8(900) Uplink	880 - 915 MHz (adjustable)	880 - 915 MHz (adjustable)
	B8(900) Downlink	925 - 960 MHz (adjustable)	925 - 960 MHz (adjustable)
	B3(1800) Uplink	1710 - 1785 MHz (adjustable)	1710 - 1785 MHz (adjustable)
	B3(1800) Downlink	1805 - 1880 MHz (adjustable)	1805 - 1880 MHz (adjustable)
	B1(2100) Uplink	1920 - 1980 MHz (adjustable)	1920 - 1980 MHz (adjustable)
	B1(2100) Downlink	2110 - 2170 MHz (adjustable)	2110 - 2170 MHz (adjustable)
Bandwidth	B8(900)	$\leq 35$ MHz (adjustable)	$\leq 35$ MHz (adjustable)
	B3(1800)	$\leq 75$ MHz (adjustable)	$\leq 75$ MHz (adjustable)
	B1(2100)	$\leq 60$ MHz (adjustable)	$\leq 60$ MHz (adjustable)
Number of Units		1	$\leq 8$
Max. Gain		$\geq 90 \pm 2$ dB	
Manual Gain Control		31 dB in step of 1 dB	
Automatic Gain Control		$\geq 20$ dB	
Gain Flatness		$\leq 6$ dB (peak-to-peak)	
Max. Input Power Without Damage	Uplink	0 dBm	
	Downlink	10 dBm	
Output Power	Uplink	$\geq 27 \pm 2$ dBm	
	Downlink	$\geq 43 \pm 2$ dBm	
Noise Figure		UL: $\leq 6$ dB	
VSWR		$\leq 1.5$	
System Delay		$\leq 4.5$ $\mu$ s	
RF Connector		N-Female	
Impedance		50 $\Omega$	
Optical Output Power		$\geq 0$ dBm	
Optical Wavelength		1310 nm/1550 nm (WDM)	
Fiber		Single Mode	
Fiber Connector		FC/APC	FC/PC
Power Supply		AC110/220V	AC110/220V
Power Consumption		$\leq 85$ W	385 W
Dimensions		513*416*187mm	513*416*187mm
Weight		$\leq 25$ kg	$\leq 30$ kg
IP Rating		IP65	IP65
Operating Temperature		-25~55 °C	
Control & Monitoring	Local	Via RJ45	
	Remote	Via Wireless Modem (optional)	

Technical specification is subject to change without prior notice.



## Triple Band-adjustable Digital DAS (Direct Coupling)

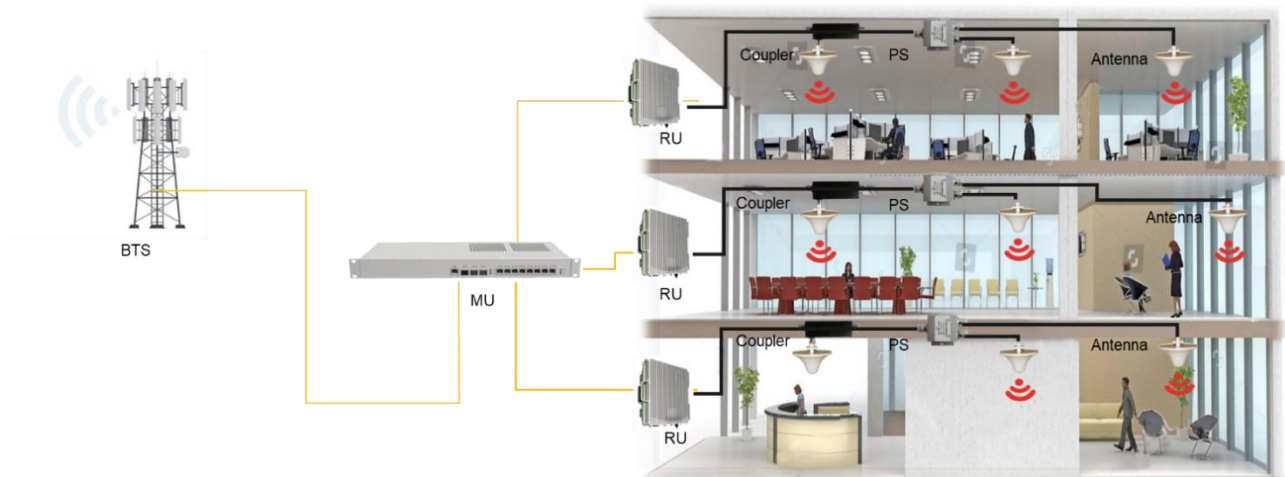
Model: 44323D (44323D.245Z)

### Product Features:

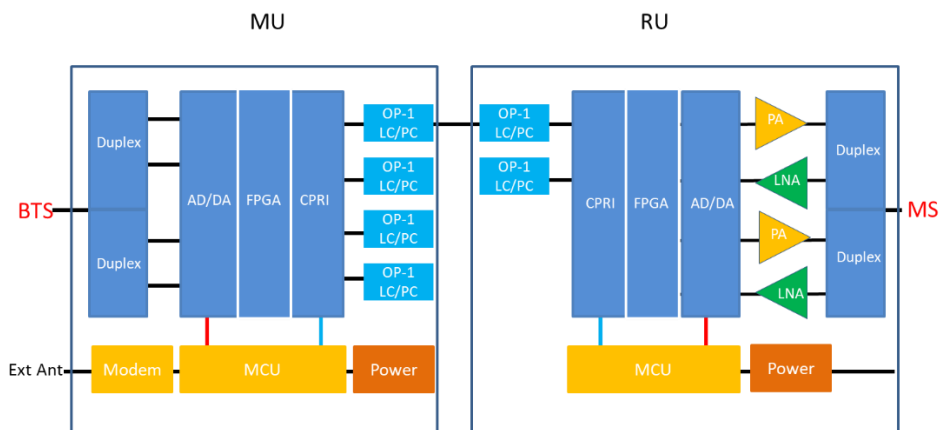
- Support multi-band system.
- Optical transmission up to 10km (max.).
- Support OMS Lite local/remote control.
- Low noise and high reliability.
- Each master unit can support 8 remote units.
- Support to monitor donor signal parameters for easy optimization and troubleshooting.



### Application Scenario:



### Block Diagram:





## Technical Specifications:

P/N: 44323D.245Z		MU	RU
Frequency Range	B5 (850) Uplink	824 - 849 MHz (adjustable)	824 - 849 MHz (adjustable)
	B5 (850) Downlink	869 - 894 MHz (adjustable)	869 - 894 MHz (adjustable)
	B4 (1700) Uplink	1710-1755 MHz (adjustable)	1710-1755 MHz (adjustable)
	B4 (1700) Downlink	2110-2155 MHz (adjustable)	2110-2155 MHz (adjustable)
	B2 (1900) Uplink	1850 - 1910 MHz (adjustable)	1850 - 1910 MHz (adjustable)
	B2 (1900) Downlink	1930 - 1990 MHz (adjustable)	1930 - 1990 MHz (adjustable)
Bandwidth	B5 (850)	$\leq 25$ (adjustable)	$\leq 25$ (adjustable)
	B4 (1700)	$\leq 45$ (adjustable)	$\leq 45$ (adjustable)
	B2 (1900)	$\leq 60$ (adjustable)	$\leq 60$ (adjustable)
Number of Units		1	$\leq 8$
Max. Gain		$\geq 55 \pm 2\text{dB}$	
Manual Gain Control		31 dB in step of 1 dB	
Automatic Gain Control		$\geq 20$ dB	
Gain Flatness		$\leq 6$ dB (peak-to-peak)	
Max. Input Power Without Damage	Uplink	0 dBm	
	Downlink	10 dBm	
Output Power	Uplink	$\geq -10 \pm 2\text{dBm}$	
	Downlink	$\geq 43 \pm 2\text{dBm}$	
Noise Figure		UL: $\leq 6$ dB (Except for central frequency point)	
VSWR		$\leq 1.5$	
System Delay		$\leq 5 \mu\text{s}$	
RF Connector		N-Female	
Impedance		50 $\Omega$	
Optical Output Power		$\geq 0$ dBm	
Optical Wavelength		1310 nm/1550 nm (WDM)	
Fiber		Single Mode	
Fiber Connector		FC/APC	FC/PC
Power Supply		DC -48 V	AC110/220V
Power Consumption		$\leq 65$ W	$\leq 385$ W
Dimensions		422*352*44 mm	513*416*187 mm
Weight		$\leq 15$ kg	$\leq 35$ kg
IP Rating		IP40	IP65
Operating Temperature		-10~50 °C	-25~55 °C
Control & Monitoring	Local	Via RJ45	
	Remote	Via Wireless Modem (optional)	

Technical specification is subject to change without prior notice.



## Penta Band-adjustable Digital DAS (Direct Coupling)

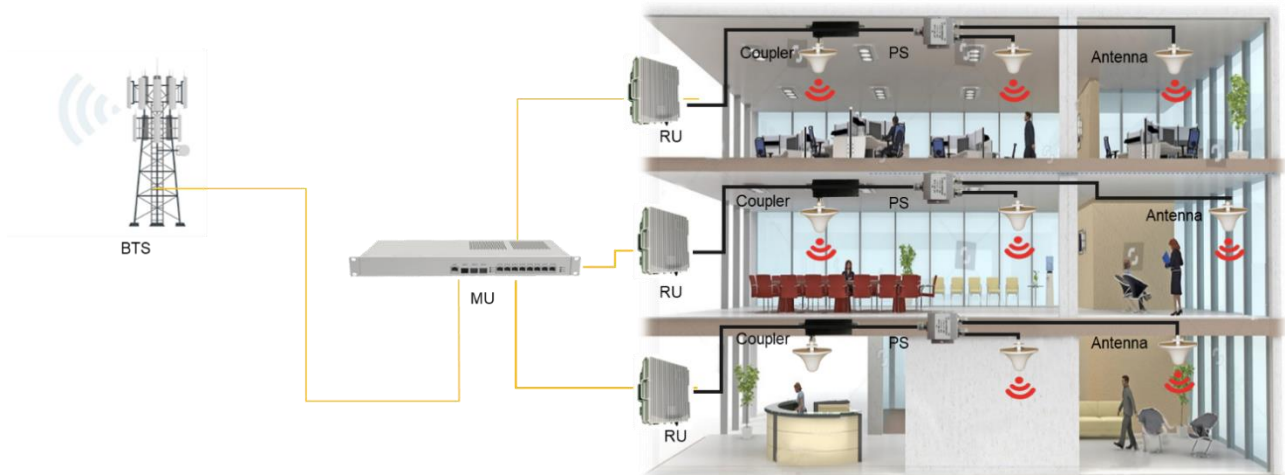
Model: 44325D (44325D.0721Z)

### Product Features:

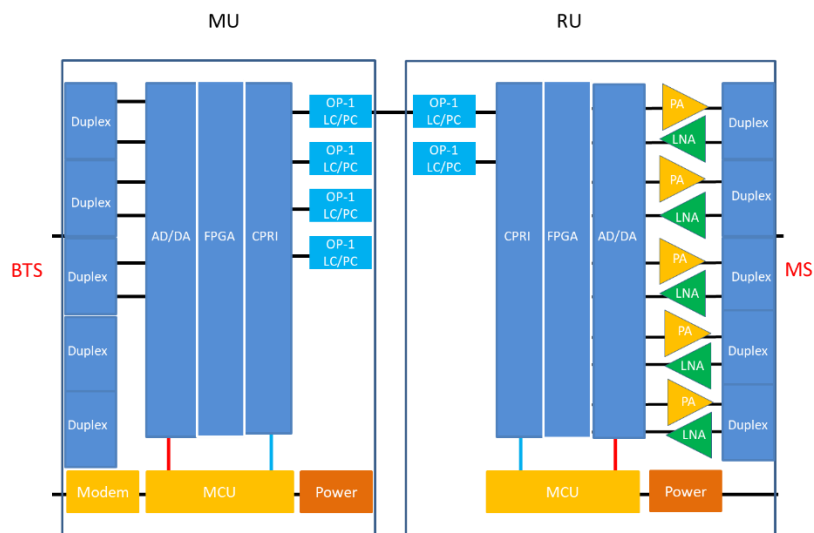
- Support multi-band system.
- Optical transmission up to 10km (max.).
- Support OMS Lite local/remote control.
- Low noise and high reliability.
- Each master unit can support 8 remote units.
- Support to monitor donor signal parameters for easy optimization and troubleshooting.



### Application Scenario:



### Block Diagram:







## Technical Specifications:

P/N: 44325D.0721Z		MU	RU
Frequency Range	B28 (700) Uplink	703 - 748 MHz (adjustable)	703 - 748 MHz (adjustable)
	B28 (700) Downlink	758 - 803 MHz (adjustable)	758 - 803 MHz (adjustable)
	B20 (800) Uplink	832 - 862 MHz (adjustable)	832 - 862 MHz (adjustable)
	B20 (800) Downlink	791 - 821 MHz (adjustable)	791 - 821 MHz (adjustable)
	B8 (900) Uplink	880 - 915 MHz (adjustable)	880 - 915 MHz (adjustable)
	B8 (900) Downlink	925 - 960 MHz (adjustable)	925 - 960 MHz (adjustable)
	B3 (1800) Uplink	1710 - 1785 MHz (adjustable)	1710 - 1785 MHz (adjustable)
	B3 (1800) Downlink	1805 - 1880 MHz (adjustable)	1805 - 1880 MHz (adjustable)
	B1 (2100) Uplink	1920 - 1980 MHz (adjustable)	1920 - 1980 MHz (adjustable)
	B1 (2100) Downlink	2110 - 2170 MHz (adjustable)	2110 - 2170 MHz (adjustable)
Bandwidth	B28 (700)	≤ 45 MHz (adjustable)	≤ 45 MHz (adjustable)
	B20 (800)	≤ 30 MHz (adjustable)	≤ 30 MHz (adjustable)
	B8 (900)	≤ 35 MHz (adjustable)	≤ 35 MHz (adjustable)
	B3 (1800)	≤ 75 MHz (adjustable)	≤ 75 MHz (adjustable)
	B1 (2100)	≤ 60 MHz (adjustable)	≤ 60 MHz (adjustable)
Number of Units		1	≤ 8
Max. Gain		≥ 55 ±2dB	
Manual Gain Control		31 dB in step of 1 dB	
Automatic Gain Control		≥20 dB	
Gain Flatness		≤ 6 dB (peak-to-peak)	
Max. Input Power Without Damage	Uplink	0 dBm	
	Downlink	10 dBm	
Output Power	Uplink	≥-10 ±2dBm per band	
	Downlink	≥43 ±2dBm per band	
Noise Figure		UL: ≤ 6 dB (Except for central frequency point)	
VSWR		≤ 1.5	
System Delay		≤5 μs	
RF Connector		5*N-Female	
Impedance		50Ω	
Optical Output Power		≥0 dBm	
Optical Wavelength		1310 nm/1550 nm (WDM)	
Fiber		Single Mode	
Fiber Connector		4*FC/APC	1*FC/PC
Power Supply		DC -48 V	AC110/220V
Power Consumption		≤75 W	≤ 485 W
Dimensions		422*352*44 mm	513*416*187 mm
Weight		≤15 kg	≤ 45 kg
IP Rating		IP40	IP65



Operating Temperature		-10~50 °C	-25~55 °C
Control & Monitoring	Local	Via RJ45	
	Remote	Via Wireless Modem (optional)	

Technical specification is subject to change without prior notice.



Shenzhen Prevail Technology Co., Ltd.

1107, Zhongfutai Building, Guangke Road #1, Pingshan District, Shenzhen 518122, China

Tel: +86-755-26466353

Email: [info@prevailtec.com](mailto:info@prevailtec.com)

[www.prevailtec.com](http://www.prevailtec.com)

